



Unbroken Superiority

For more Information or Enquiries:
E-mail: sales@virginelect.com
info@virginelect.com
www.virginelect.com

VIRGIN™
Unbroken Superiority

USER'S MANUAL

GX-18-NPC/GX-215-NPC /GX-218-NPC



Virgin UK Global Electronics Ltd constantly seeks ways to enhance our products' quality so as to keep & maintain the unbroken superiority of our virgin products which we have done for more than a decade. To achieve our mission, we reserve the right to change or alter any specification in this manual without prior notice.

Thanks for choosing virgin product

Manufactured By:
Virgin UK Global Electronics Ltd.
www.virginelect.com

8. Panel



9. MAINTENANCE

PROBLEM	ANALYZE
Not enough SPL	Check if system correction is normal? If volume control is at appropriate position?
No sound	Check if system connection is normal? If powered on? If signal input is normal?
Sound distortion	Check if too large signal? If "LIMIT" LED illuminates? If so, decrease the input signal.
Abnormal tone	Check if cable connection is correct? If signal input is correct?
Discontinuous sound	HF section is protected, switch off the amplifier first, then switch on in a few minutes.

Note: If the problem is still there after checking mentioned above, please contact our distributor.

1. IMPORTANT SAFETY INSTRUCTIONS

WARNING:

In order to avoid the possibility of physical injury to you or others, or damage to the device or other property, please follow the basic precautions listed below. These precautions include, but are not limited to, the following:

- Read and keep these instructions
- Heed all warning.
- Follow all instructions.
- This device is capable of delivering high sound pressure levels beyond 120dB, which may cause permanent hearing damage. Please pay more attention to select a proper volume.
- Do not remove the front metal grille which protects the loudspeaker (or the inside components) from any irreparable damage. The device contains no user-serviceable parts.
- Do not use solvents such as acetone or alcohol to clean the device, or the solvent may damage its finish.
- Do not expose the device to the atrocious environment for a long time (for example: moisture, excessive heat, strong temperature variations, etc.)
- Clean the device once in a while to avoid excessive dust; when removing the device, please pack the device with original packaging for any transport purpose
- Only use the accessories/attachments or parts recommended by the manufacturer.

CAUTION:

In order to avoid the possibility of damage to the device or other property, please follow the basic precautions listed below. These precautions include, but are not limited to, the following:

Location

The series speaker features with smart and convenient installation facility, which can be located on a stable ground surface or mounted on a stand (only for full-range speaker) or other ways. For protecting your speaker from possible damage, please note following caution:

- If you place your speaker on flat surface, please make sure the flat surface is even, completely firm.
- Before moving the speakers, remove all connected cables.
- When installing or transporting the device, always use two or more people.

Connections

- Always make sure that all devices are turned off when connecting the speaker to other devices. Also make sure that all volume and level controls are turned down to minimum before turning the power on.
- Use only speaker cable for connecting speakers to speaker jacks. Use of other types of cables may result in fire.



WEEE Mark

If you want to dispose of this product, do not mix with general household waste. There are separate collection systems for used electronic products in accordance with legislation under the WEEE Directive (Directive 2002/96/EC) and is effective only within the European Union.

2.Features

GX-18-NPC product's cabinet is made of plywood reinforced with material that has special damping effect, with concave-convex complementary structure design, CNC machined, an ideal rigid cavity integrated with high-strength glue, the cabinet dimensions are repeatedly optimized and debugged, providing excellent acoustic properties;

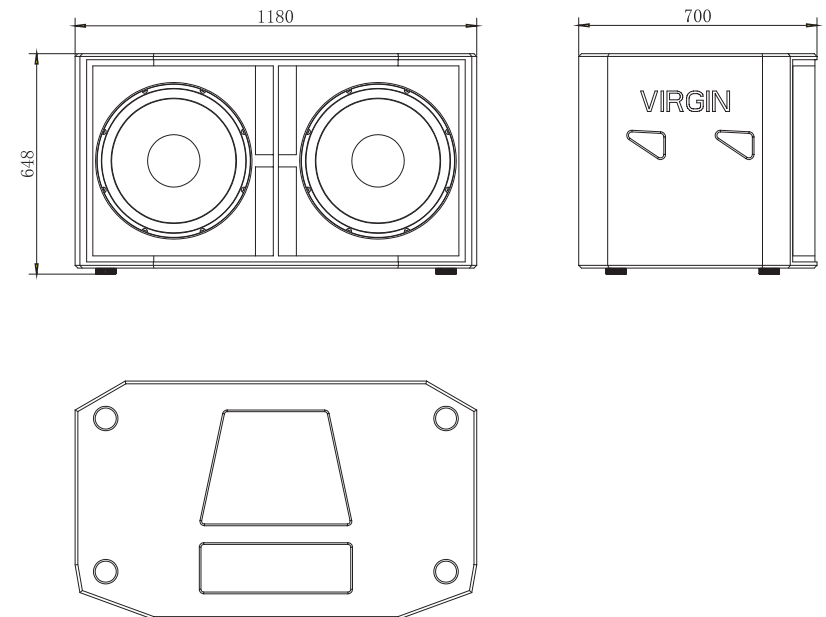
Specially designed magnetic circuit system of low-frequency speaker further improves heat dissipation efficiency and reduces power compression under high sound pressure, specially treated diaphragm material makes low frequency richer and more powerful.

With increased elastic elements, providing delicate tactile feel, wear resistant and crash resistant;

When equipped with full-frequency speaker, can be used for stage main sound reinforcement and supplement in venues such as multifunctional halls and outdoor engineering performances.

3.Key Specifications:

Model	GX-218-NPC
Type	2x18" passive subwoofer
Frequency response (-10dB)	35Hz~600Hz
Sensitivity (1W@1M)	96dB
Max SPL	133dB
Rated power	(continuous) 3000W, (peak) 5600W
Rated impedance	4Ω
input interface	2Xspeakon
Bass unit	2x18"bass speaker/φ100mm voice coil/1200W/4Ω
Speaker size (WxDxH)	1180*700*648 (mm)
Net weight	68.5kg



6.Features

GX-218-NPC product's cabinet is made of plywood reinforced with material that has special damping effect, with concave-convex complementary structure design, CNC machined, an ideal rigid cavity integrated with high-strength glue, the cabinet dimensions are repeatedly optimized and debugged, providing excellent acoustic properties;

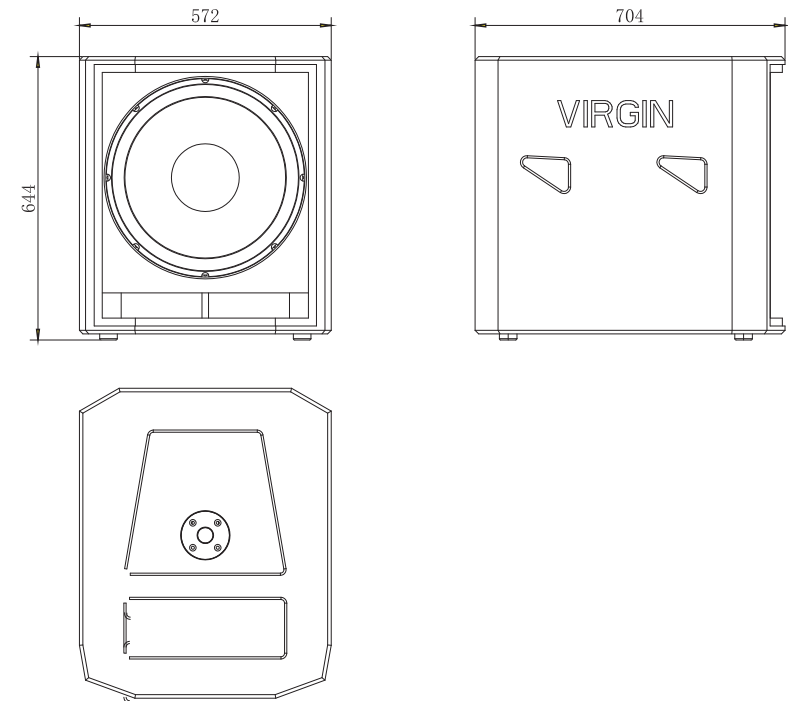
Specially designed magnetic circuit system of low-frequency speaker further improves heat dissipation efficiency and reduces power compression under high sound pressure, specially treated diaphragm material makes low frequency richer and more powerful.

With increased elastic elements, providing delicate tactile feel, wear resistant and crash resistant;

When equipped with full-frequency speaker, can be used for stage main sound reinforcement and supplement in venues such as multifunctional halls and outdoor engineering performances.

3.Key Specifications:

Model	GX-18-NPC
Type	18" passive subwoofer
Frequency response (-10dB)	35Hz~600Hz
Sensitivity (1W@1M)	93dB
Max SPL	127dB
Rated power	(continuous) 1500W, (peak) 3000W
Rated impedance	4Ω
input interface	2Xspeakon
Bass unit	18" bass speaker/φ100mm voice coil/600W/4Ω
Speaker size (WxDxH)	572*704*644 (mm)
Net weight	38.5kg



4.Features

GX-215-NPC product's cabinet is made of plywood reinforced with material that has special damping effect, with concave-convex complementary structure design, CNC machined, an ideal rigid cavity integrated with high-strength glue, the cabinet dimensions are repeatedly optimized and debugged, providing excellent acoustic properties;

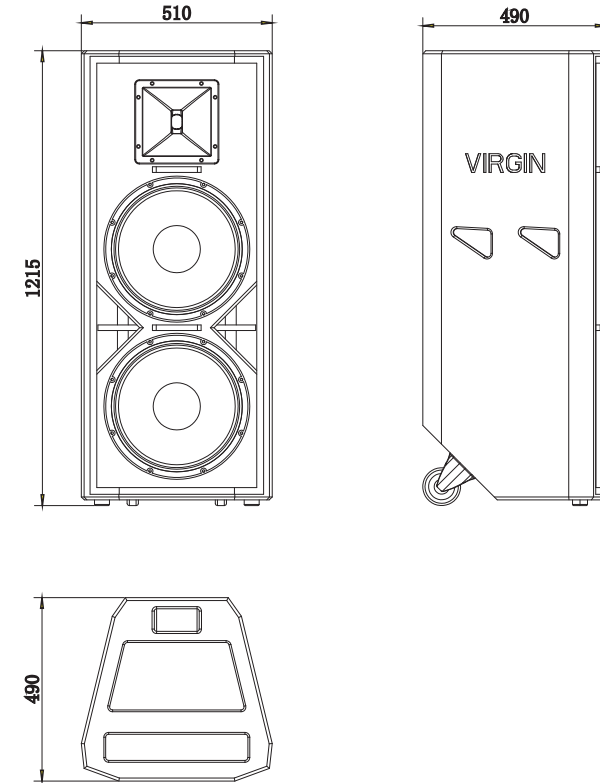
Specially designed magnetic circuit system of low-frequency speaker further improves heat dissipation efficiency and reduces power compression under high sound pressure, specially treated diaphragm material makes low frequency richer and more powerful.

With increased elastic elements, providing delicate tactile feel, wear resistant and crash resistant;

When equipped with full-frequency speaker, can be used for stage main sound reinforcement and supplement in venues such as multifunctional halls and outdoor engineering performances.

5.Key Specifications:

Model	GX-215-NPC
Type	Double 15" dual-frequency passive speaker
Frequency response (-10dB)	45Hz~20kHz
Sensitivity (1W@1M)	98dB
Max SPL	133dB
Rated power	continue (2400w) peak (4800w)
Rated impedance	8Ω
input interface	2Xspeakon
Bass unit	2x15"bass speaker/φ75.8mm voice coil/800W/8Ω
Speaker size (WxDxH)	510*490*1215 (mm)
Net weight	49kg



Applications

- *Excellent for Out door & indoor live concert
- *Suitable for Hotel/Club/Bar dancing live reinforcement
- *Suitable for Church/School/Stadium live event
- *High quality 18mm thickness plywood